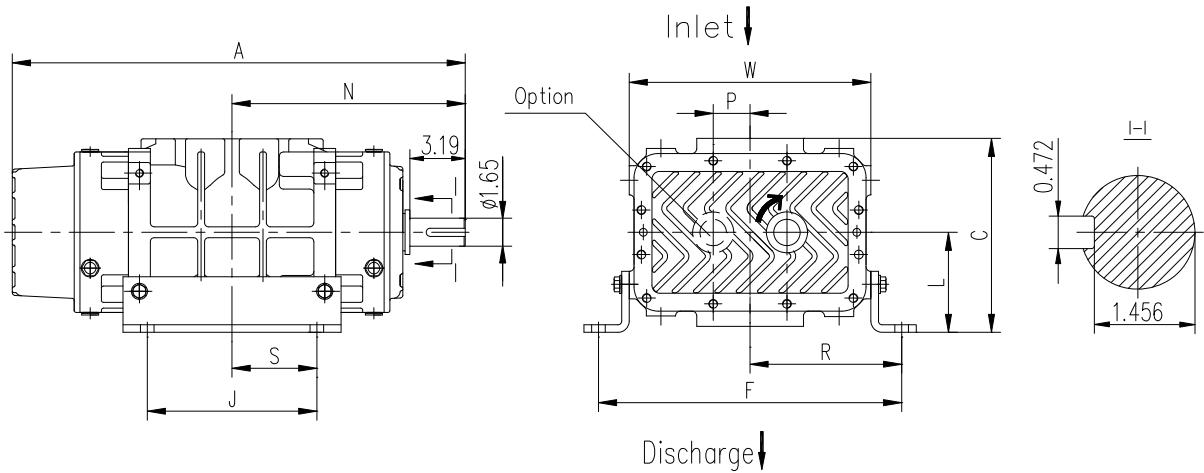
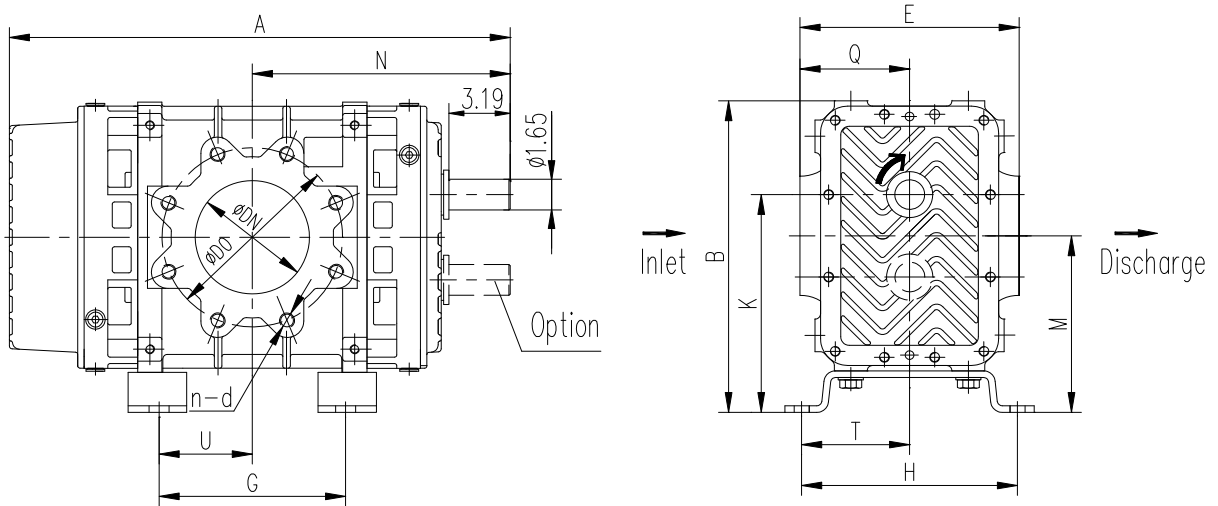


MB4512, MB4518 Series Rotary Blowers Outline Drawing

Vertical Flow Configuration



Horizontal Flow Configuration



Model	WT.	A	B	C	E	F	G	H	J	K	L	M	N	P	Q	R	S	T	U	W	D0	DN	n-d
MB4512	397	26.23	16.23	11.12	11	17.5	9.88	11.5	10	11.35	5.62	9.10	13.5	2.25	5.5	8.75	5	5.75	4.94	14.26	9.5	5.98	8-3/4"-10
MB4518	490	32.21	16.23	11.19	11.14	17.5	15.88	11.5	16	11.35	5.62	9.10	16.5	2.25	5.57	8.75	8	5.75	7.94	14.26	11.75	7.99	8-3/4"-10

All dimensions shown in inches. Weights are in pounds
 MB45 Series Mounting Bolt Hole Diameter=0.71 inches