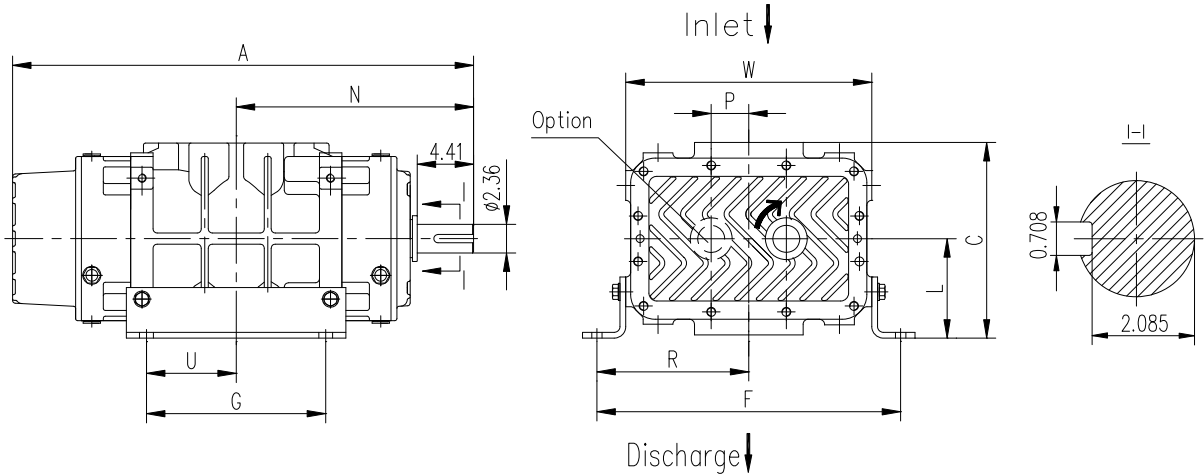
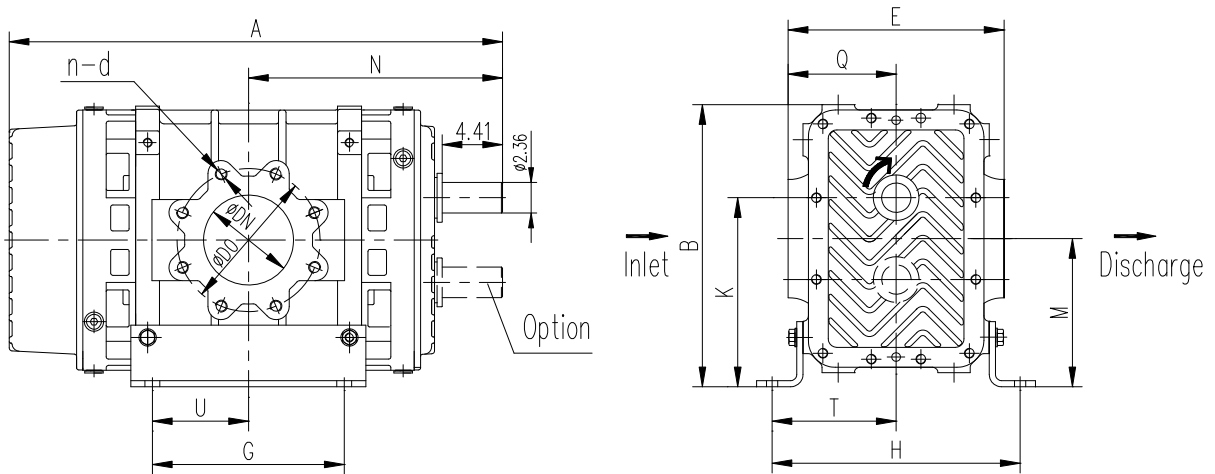


MB60 Series Rotary Blowers Outline Drawing

Vertical Flow Configuration



Horizontal Flow Configuration



Model	WT.	A	B	C	E	F	G	H	K	L	M	N	P	Q	R	T	U	W	DO	DN	n-d
MB6010	690	29.41	20.54	15.14	14.8	22.96	8.26	16.92	14.03	7.74	11.03	15.24	3	7.4	11.48	8.46	4.13	19.02	9.5	5.98	8-3/4"-10
MB6016	906	34.92	20.54	15.14	14.8	22.96	13	16.92	14.03	7.74	11.03	18.00	3	7.4	11.48	8.46	6.5	19.02	11.75	7.99	8-3/4"-10
MB6024	1162	42.95	20.54	15.14	14.8	22.96	20.86	16.92	14.03	7.74	11.03	22.00	3	7.4	11.48	8.46	10.43	19.02	14.25	10	12-7/8"-9

All dimensions shown in inches. Weights are in pounds
 MB60 Series Mounting Bolt Hole Diameter=0.71 inches