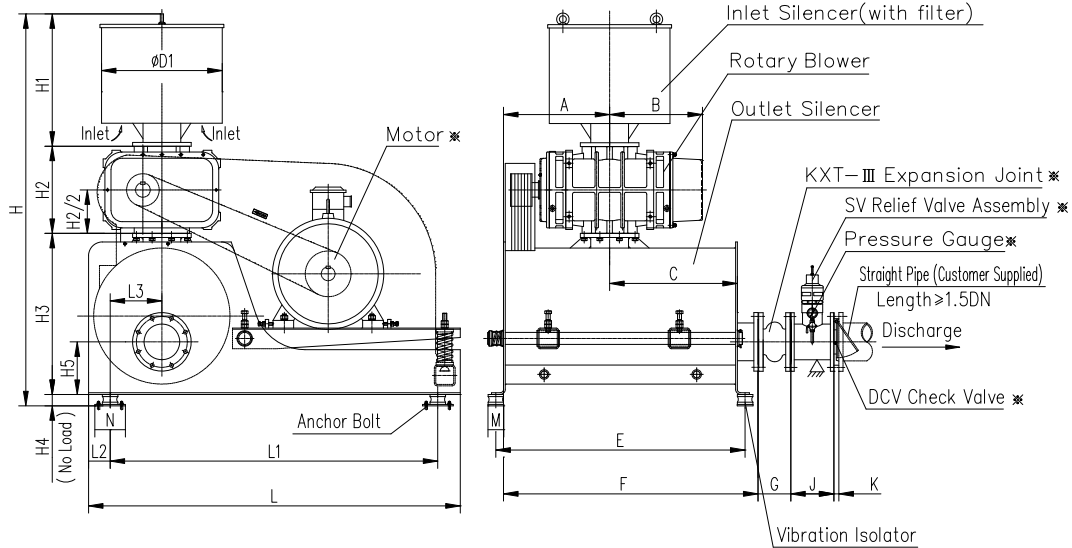
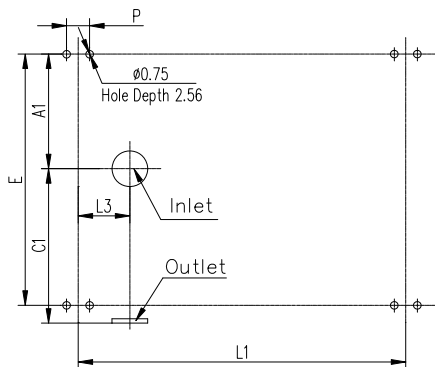


Outline and Installation Drawing for MB30 Series

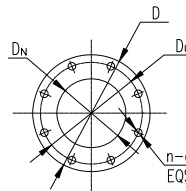
Pressure Blower Packages



Anchor bolt Hole Placement Diagram



Outlet Flange Specification
ANSI 150lb



Note : customer provided support
Unit : inch

Model	A	A1	B	C	C1	E	F	G	J	K	L	L1	L2	L3	H
MB3004			7.36					4.13	5.51	0.71					
MB3006	11.81	13.35	8.35	12.6	15.75	27.48	27.56	4.53	5.91	0.71	39.37	33.46	2.95	3.54	38.54
MB3007			8.84												

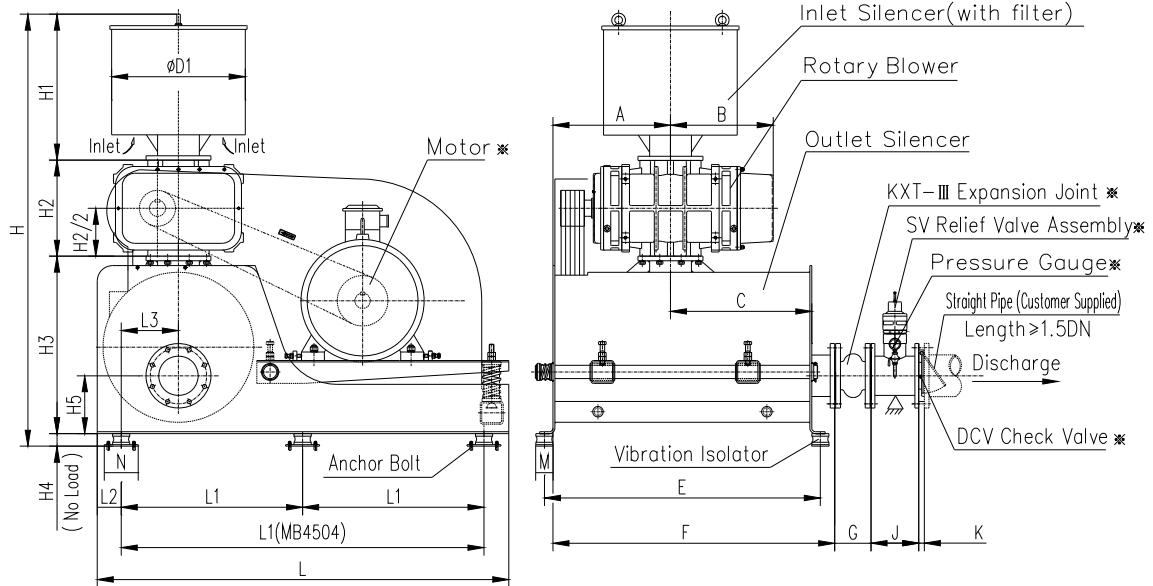
Model	H1	H2	H3	H4	H5	M	N	P	D1	D_N	D₀	D	n	d	Weight (lbs)
MB3004										$\phi 2.44$	$\phi 4.75$	$\phi 6$			408
MB3006	13.35	6.81	16.18	2.20	7.01	2.6	5.71	4.13	12.54	$\phi 2.94$	$\phi 5.5$	$\phi 7$	4	$\phi 0.75$	426
MB3007															432

Weight without Motor

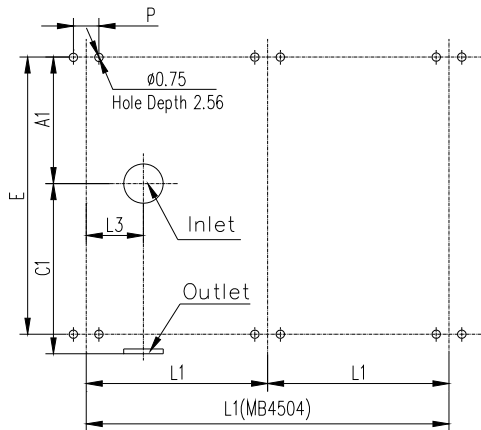
* Optional Accessories

Outline and Installation Drawing for MB45 Series

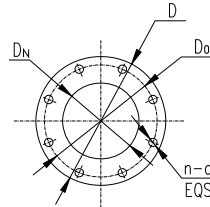
Pressure Blower Packages



Anchor bolt Hole Placement Diagram



Outlet Flange Specification
ANSI 150lb



Note : customer provided support
Unit : inch

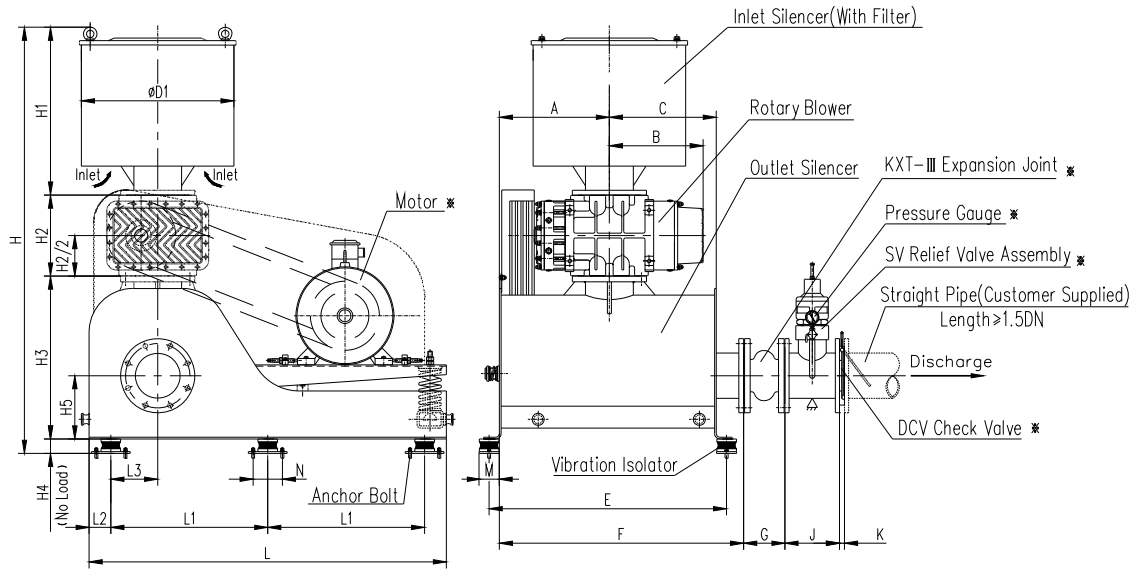
Model	A	A1	B	C	C1	E	F	G	J	K	L	L1	L2	L3
MB4504	11.81	13.35	8.74	12.60	15.75	27.48	27.56	4.53	5.91	0.71	39.37	33.46	2.95	3.54
MB4506	12.13	13.98	9.72	16.06	20.08	31.89	32.20	5.90	7.09	0.71	53.15	23.62	2.95	6.20
MB4509	13.78	15.63	11.22	17.55	22.24	35.04	36.02	6.49	7.87	0.71	64.57	28.35	3.94	8.46
MB4512	15.75	17.60	12.72	20.71	25.59	40.16	41.34	7.08	8.66	0.71				
MB4518	18.70	20.55	15.72	20.51	25.39	42.91	44.09	7.48	9.84	0.90				

Model	H	H1	H2	H3	H4	H5	M	N	P	D1	DN	D0	D	n	d	Weight (lbs)
MB4504	41.57	13.5	9.84	16.18	2.20	7.01	2.60	5.71	4.13	12.54	$\phi 2.94$	$\phi 5.5$	$\phi 7$	4	$\phi 0.75$	705
MB4506	53.94	19.84	9.84	22.05	2.20	8.66	2.60	5.71	4.13	17.32	$\phi 4.57$	$\phi 7.5$	$\phi 9$	8	$\phi 0.75$	745
MB4509											$\phi 5.66$	$\phi 8.5$	$\phi 10$			843
MB4512	68.4	25.47	11	29.33	2.60	11.42	3.62	7.01	5.28	21.26	$\phi 6.72$	$\phi 9.5$	$\phi 11$	8	$\phi 0.875$	1348
MB4518	73.15	30.08	11.4							27.56	$\phi 8.72$	$\phi 11.75$	$\phi 13.5$	8	$\phi 0.875$	1610

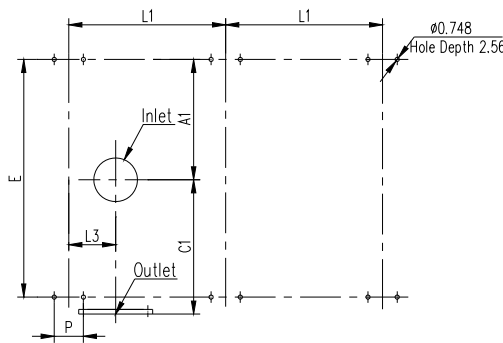
Weight without motor
* Optional Accessories

Outline and Installation Drawing for MB60 Series

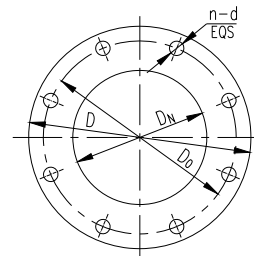
Pressure Blower Packages



Anchor Bolt Placement Diagram



Outlet Flange Specification
ANSI 150 lb



Note : Δ Customer Provided Support
unit : inch

Model	A	A1	B	C	C1	E	F	G	J	K	L	L1	L2	L3	H
MB6010	17.13	18.98	14.17	19.33	24.21	40.16	41.34	7.08	8.66	0.71	64.57	28.35	3.94	8.46	72.32
MB6016	19.88	21.73	16.93			42.91	44.09	7.48	9.84	0.90					76.93
MB6024	24.21	25.98	20.94	29.13	34.06	56.89	58.27	9.05	11.81	1.77	84.84	37.40	4.92	11.81	85.28

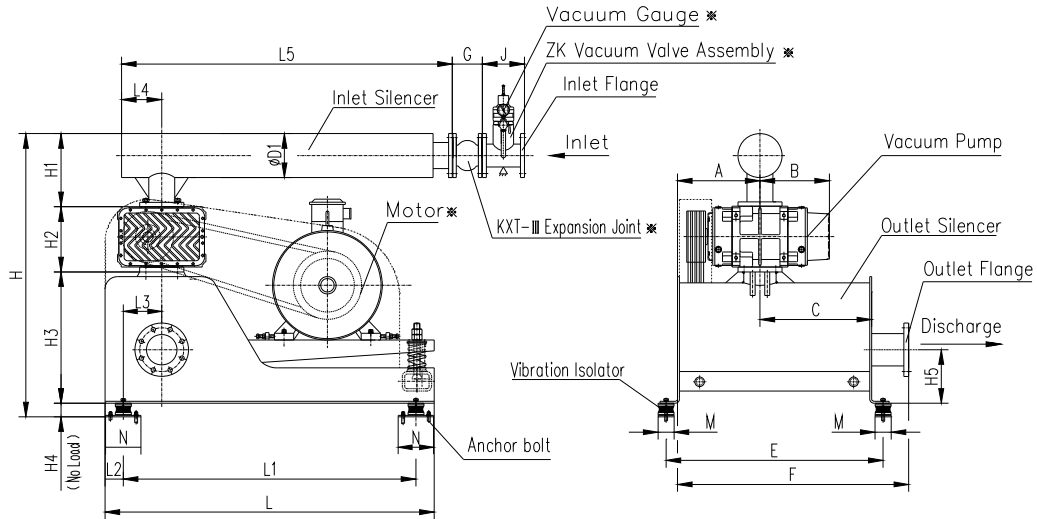
Model	H1	H2	H3	H4	H5	M	N	P	D1	Dn	D0	D	n	d	Weight (lbs)
MB6010	25.59		29.33		11.42				21.26	$\phi 6.72$	$\phi 9.5$	$\phi 11$			1680
MB6016	30.20	14.80		2.60		3.62	7.01	5.28	27.56	$\phi 8.72$	$\phi 11.75$	$\phi 13.5$	8	$\phi 0.875$	2035
MB6024	30.98		36.89		12.00					$\phi 10.88$	$\phi 14.25$	$\phi 16$	12	$\phi 1.00$	3105

Weight without motor

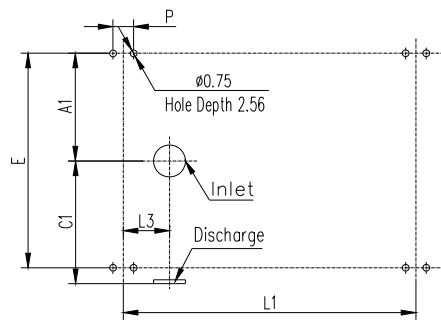
* : Optional Accessories

Outline and Installation Drawing for MB30 Series

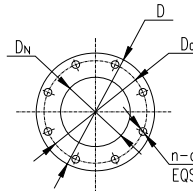
Vacuum Pump Packages



Anchor bolt Hole Placement Diagram



Inlet and Outlet Flange Specification
ANSI 150lb



Note : Δ customer provided support
Unit : inch

Model	A	A1	B	C	C1	E	F	G	J	L	L1	L2	L3	L4	L5
MB3004			7.36					4.13	5.51					4.13	27.56
MB3006	11.81	13.35	8.35	12.6	15.75	27.48	27.56	4.53	5.91	39.37	33.46	2.95	3.54	4.53	31.50
MB3007			8.84												

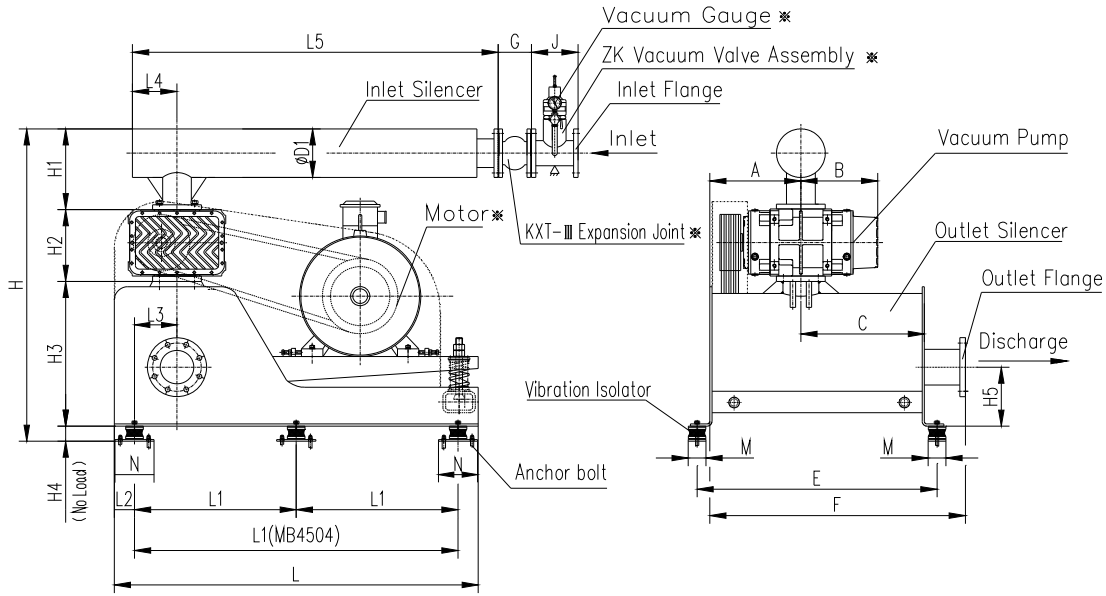
Model	H	H1	H2	H3	H4	H5	M	N	P	D1	Dn	D0	D	n	d	Weight (lbs)
MB3004										5.51	ϕ 2.44	ϕ 4.75	ϕ 6			408
MB3006	35.83	10.63	6.81	16.18	2.20	7.01	2.6	5.71	4.13	6.50	ϕ 2.94	ϕ 5.5	ϕ 7	4	ϕ 0.75	426
MB3007																432

Weight without Motor

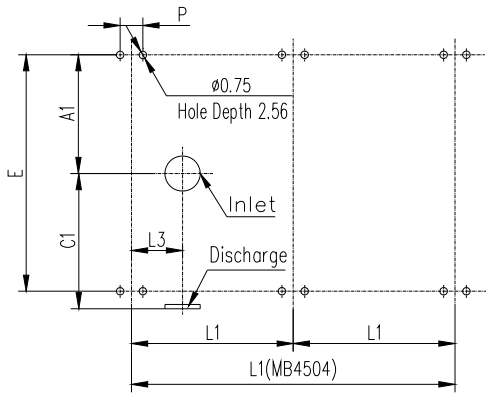
* Optional Accessories

Outline and Installation Drawing for MB45 Series

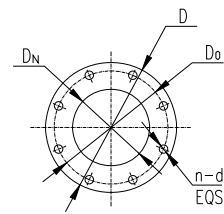
Vacuum Pump Packages



Anchor bolt Hole Placement Diagram



Inlet and Outlet Flange Specification
ANSI 150lb



Note : Δ customer provided support

Unit : inch

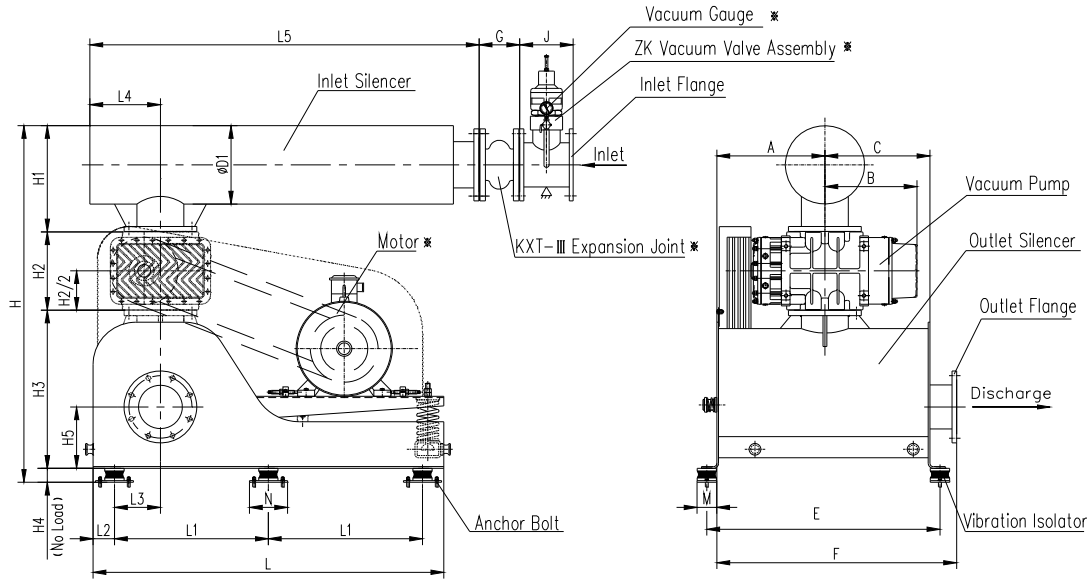
Model	A	A1	B	C	C1	E	F	G	J	L	L1	L2	L3	L4	L5
MB4504	11.81	13.35	8.74	12.60	15.75	27.48	27.56	4.53	5.91	39.37	33.46	2.95	3.54	5.51	31.5
MB4506	12.13	13.98	9.74	16.06	20.08	31.89	32.20	5.90	7.09	53.15	23.62	2.95	6.20	5.91	39.37
MB4509	13.78	15.63	11.22	17.55	22.24	35.04	36.02	6.49	7.87					6.10	51.18
MB4512	15.75	17.60	12.72	20.71	25.59	40.16	41.34	7.08	8.66	64.57	28.35	3.94	8.46	7.09	66.93
MB4518	18.70	20.55	15.72	20.51	25.39	42.91	44.09	7.48	9.84					12.99	74.8

Model	H	H1	H2	H3	H4	H5	M	N	P	D1	DN	D0	D	n	d	Weight (lbs)
MB4504	38.86	10.63	9.84	16.18	2.20	7.01	2.60	5.71	4.13	6.5	02.94	05.5	07	4	00.75	705
MB4506	49.84	12.99	12.6	22.05	2.20	8.66	2.60	5.71	4.13	7.48	04.57	07.5	09	8	00.75	745
MB4509										8.46	05.66	08.5	10		00.875	843
MB4512	58.68	15.75	11	29.33	2.60	11.42	3.62	7.01	5.28	11.06	06.72	09.5	11	8	00.875	1348
MB4518	60.79	17.72	11.14							12.6	08.72	11.75	13.5			1610

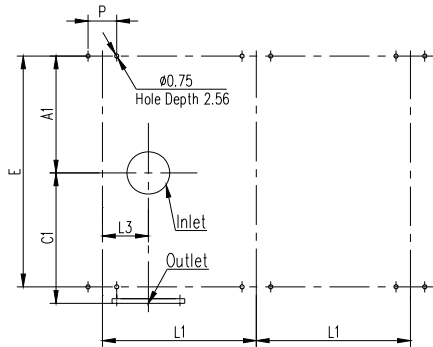
Weight without motor
* Optional Accessories

Outline and Installation Drawing for MB60 Series

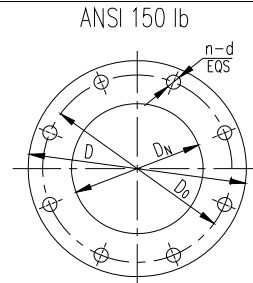
Vacuum Pump Packages



Anchor Bolt Placement Diagram



Inlet And Outlet Flange Specification



Note : Δ Customer Provided Support unit : inch

Model	A	A1	B	C	C1	E	F	G	J	L	L1	L2	L3	L4	L5
MB6010	17.13	18.98	14.17	19.33	24.21	40.16	41.34	7.08	8.66	64.57	28.35	3.94	8.46	7.09	66.93
MB6016	19.88	21.73	16.93			42.91	44.09	7.48	9.84						
MB6024	24.21	25.98	20.94	29.13	34.06	56.89	58.27	9.05	11.81	84.84	37.40	4.92	11.81	11.81	82.68

Model	H	H1	H2	H3	H4	H5	M	N	P	D1	Dn	D0	D	n	d	Weight (lbs)
MB6010	62.48	15.75	14.80	29.33	2.60	11.42	3.62	7.01	5.28	11.06	$\phi 6.72$	$\phi 9.5$	$\phi 11$	8	$\phi 0.875$	1680
MB6016	64.45	17.72		12.60		$\phi 8.72$				$\phi 11.75$	$\phi 13.5$	2035				
MB6024	75.16	20.87	36.89	12.01	15.98	$\phi 10.88$	$\phi 14.25$	$\phi 16$	12	$\phi 1.00$	3105					

Weight without motor

* : Optional Accessories