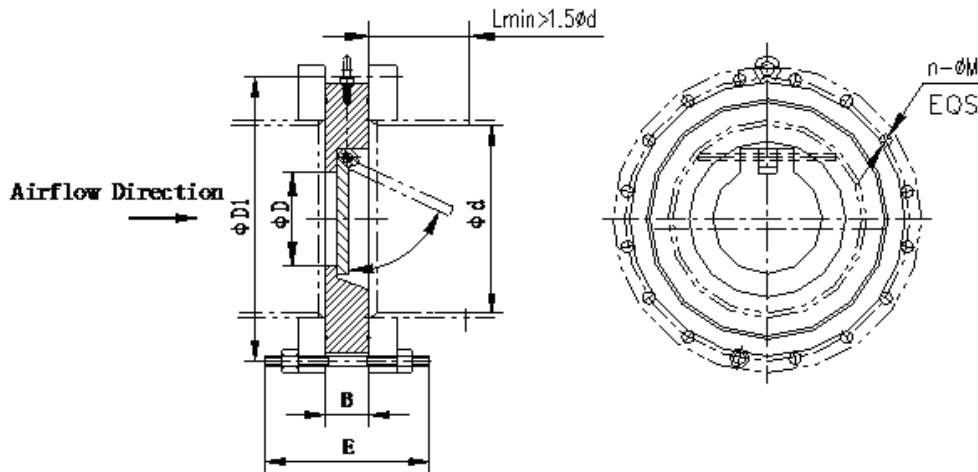


## Type DCV Check Valve



(ANSI 150lbs Flange)

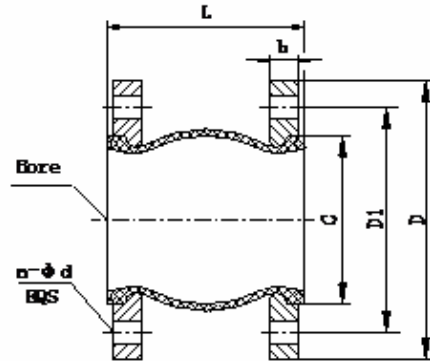
Part No.	Bore	Bolt Circle D1	D	Min d	B	E	n	M	Weight (lbs)
DCV-50	2	4 3/4	1.45	2.07	0.71	2.56	4	3/4	2.42
DCV-65	2 1/2	5 1/2	1.77	2.59	0.71	2.56	4	3/4	3.3
DCV-80	3	6	2.05	3.07	0.71	2.56	4	3/4	4.4
DCV-100	4	7 1/2	2.56	4.02	0.71	2.56	8	3/4	5.5
DCV-125	5	8 1/2	3.54	4.98	0.71	2.95	8	7/8	7.7
DCV-150	6	9 1/2	4.52	5.94	0.71	2.95	8	7/8	10.2
DCV-200	8	11 3/4	6.30	7.87	0.90	3.15	8	7/8	15.4
DCV-250	10	14 1/4	7.08	10.23	1.77	4.33	12	1	39.6

All dimensions are in inches.

### Construction Details:

- Check valve sealing rated to 302° F.
- Steel body and internals.

Type KXT-III Flanged Expansion Joint



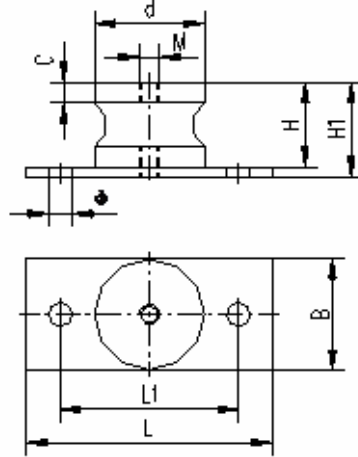
Part NO.	Bore	L	b	D1	D	n	C	d	Horizontal Displacement		Lateral Displacement	Deflection Angle	Weight (lbs)
									Protraction	Compression			
KXT50	2	4.13	11/16	4 3/4	6	4	3.3	3/4	0.27	0.39	0.39	0.59	8.15
KXT65	2 1/2	4.53	13/16	5 1/2	7	4	4.25	3/4	0.27	0.51	0.43	0.59	12
KXT80	3	5.31	7/8	6	7 1/2	4	4.92	3/4	0.31	0.59	0.47	0.59	13.78
KXT100	4	5.90	7/8	7 1/2	9	8	5.51	3/4	0.39	0.74	0.51	0.59	21.7
KXT125	5	6.49	7/8	8 1/2	10	8	7.08	7/8	0.47	0.74	0.51	0.59	22.48
KXT150	6	7.08	15/16	9 1/2	11	8	8.07	7/8	0.47	0.78	0.55	0.59	27
KXT200	8	7.48	1 1/16	11 3/4	13 1/2	8	10.43	7/8	0.63	0.98	0.86	0.59	40.78
KXT250	10	9.05	1 1/8	14 1/4	16	12	12.2	1	0.63	0.98	0.86	0.59	61.5

All dimensions are in inches.

**Construction Details:**

- Elastomers Material: Fluoric-Rubber
- Working Pressure up to 140 PSIG
- Working Vacuum up to 20" Hg
- Service Temperature : 5° F ~ 400° F
- Flange: ANSI Class 150 lbs

### Type JGD Vibration Isolator

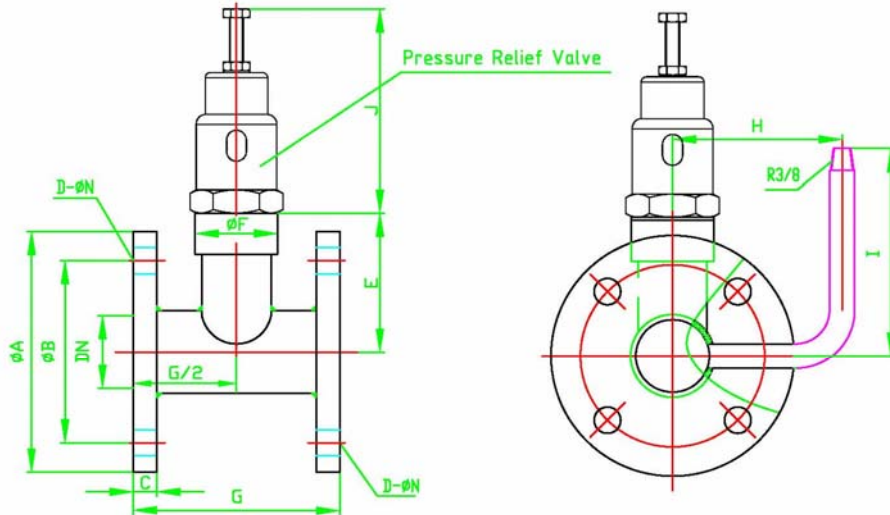


Part NO.	Rated Load (lbs)	Load Bound (lbs)	Permissible Displacement	H1	H	d	B	L1	L	M (mm)	$\phi$	C	Weight (lbs)
JGD-160	352.5	176~352.5	0.236±0.078	2.2	1.97	2.55	2.6	4.13	5.7	M12X1.5	0.55	0.47	1.65
JGD-320	705	352.5~705	0.276±0.078	2.2	1.97	2.55	2.6	4.13	5.7	M12X1.5	0.55	0.47	1.65
JGD-640	1410	705~1410	0.276±0.078	2.6	2.28	3.54	3.62	5.27	7	M12X1.5	0.55	0.51	3.3
JGD-1300	2866	1410~2866	0.276±0.078	2.6	2.28	3.54	3.62	5.27	7	M12X1.5	0.55	0.51	3.3

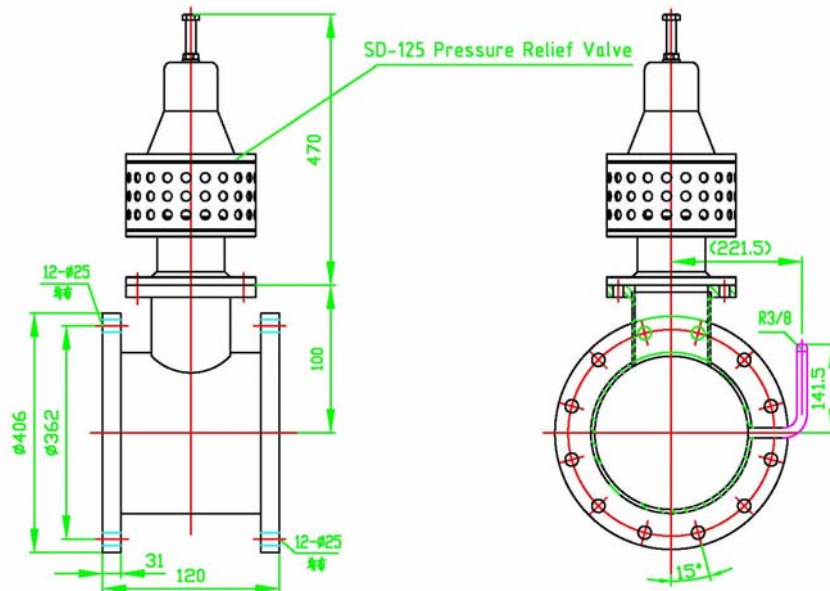
All dimensions are in inches except where noted.

Elastomers Material: Caoutchouc.

SV Series Pressure Relief Valve Assemblies (Made in China)



Model	DN	A	B	C	D	N	E	F	G	H	I	J	Pressure Relief Valve
SV-50UN	50	153	120.6	19	4	19	95	56	140	115	141	123	SVF-25
SV-65UN	65	178	140	22.5	4	19	103	56	150	115	150	126	SVF-32
SV-80UN	80	190	152.5	24	4	19	130	76	180	130	141.5	150	SVF-50
SV-100UN	100	229	190.5	24	8	19	160	105	180	130	150	200	SVF-80
SV-125UN	125	254	216	24	8	22	175	105	200	154	150	200	SVF-80
SV-150UN	150	279	241.3	25	8	22	200	121	220	169	141.5	220	SVF-100
SV-200UN	200	343	298.5	29	8	22	220	121	250	195	220	220	SVF-100

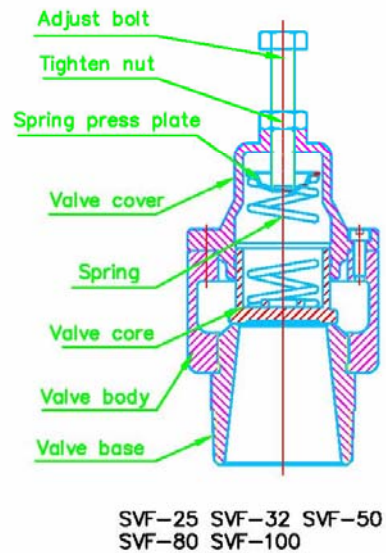
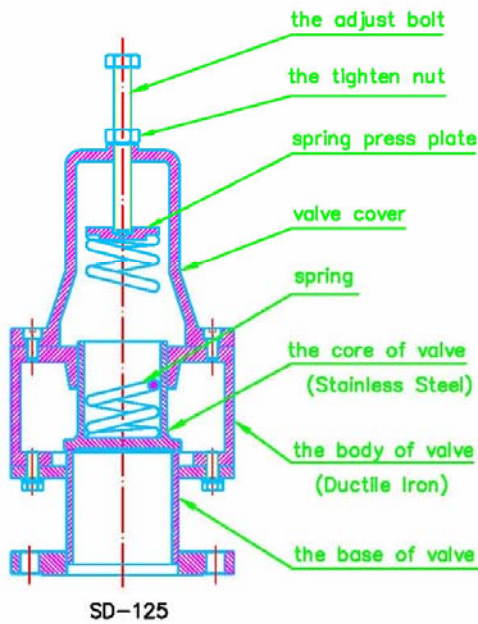
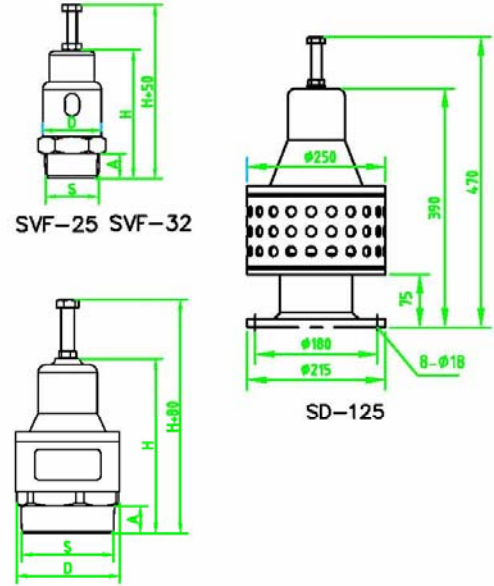


SV-250UN Pressure Relief Valve Assembly

All dimensions are in metric mm except where noted.

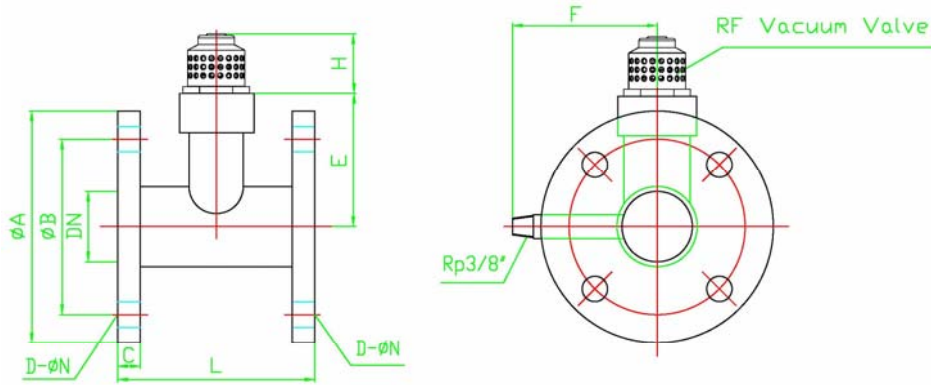
SVF Series and SD-125 Pressure Relief Valve (Made in China)

	SVF-25	SVF-32	SVF-50	SVF-80	SVF-100
Valve body	Aluminium		Ductile Iron		
Valve core	Aluminium		Stainless Steel		
Pressure Range	0.01–0.04 MPa				
	0.03–0.10 MPa				
	0.08–0.20 MPa				
Temperature	< 200 °C				
A	17	19	30	30	30
S	R1"	R1¼"	R2"	R3"	R4"
H	90	95	130	180	200
D	40	45	Φ80	Φ103	Φ126



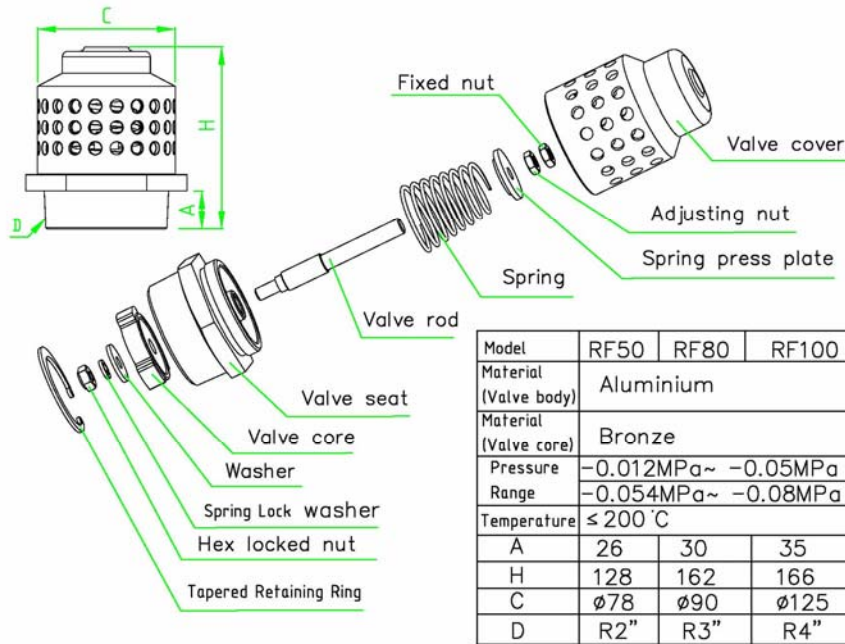
All dimensions are in metric mm except where noted.

ZK Series Vacuum Relief Valve Assemblies (Made in China)



Model	Bore DN	A	B	C	D	N	E	F	L	H	RF Vacuum Valve
ZK-50UN	50	153	120.6	19	4	19	95	75	160	102	RF-50
ZK-65UN	65	178	140	22.5	4	19	103	80	160	102	
ZK-80UN	80	190	152.5	24	8	19	130	90	180	102	
ZK-100UN	100	229	190.5	24	8	19	160	100	180	102	
ZK-125UN	125	254	216	24	8	22	175	110	200	132	RF-80
ZK-150UN	150	279	241.3	25	8	22	200	125	220	132	
ZK-200UN	200	343	298.5	29	8	22	220	150	250	132	
ZK-250UN	250	406	362	31	12	25	250	175	300	131	RF-100

RF Series Vacuum Valve (Made in China)



All dimensions are in metric mm except where noted.