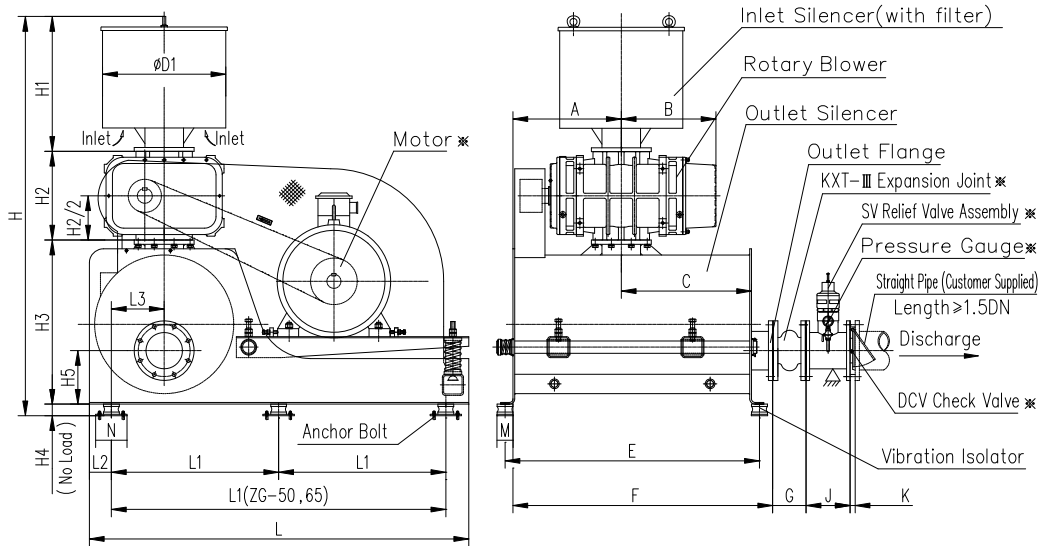
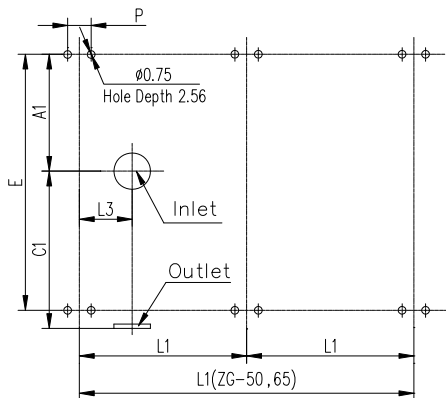


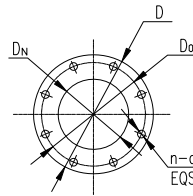
Outline and Installation Drawing for ZG Series Pressure Blower Packages



Anchor bolt Hole Placement Diagram



Outlet Flange Specification
ANSI 150lb



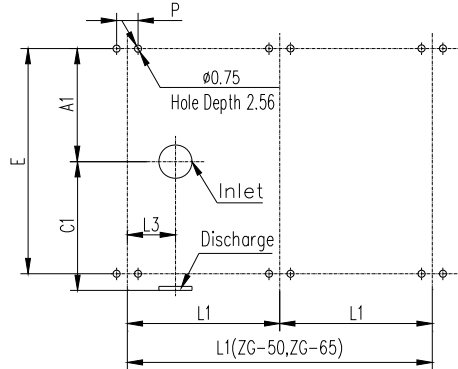
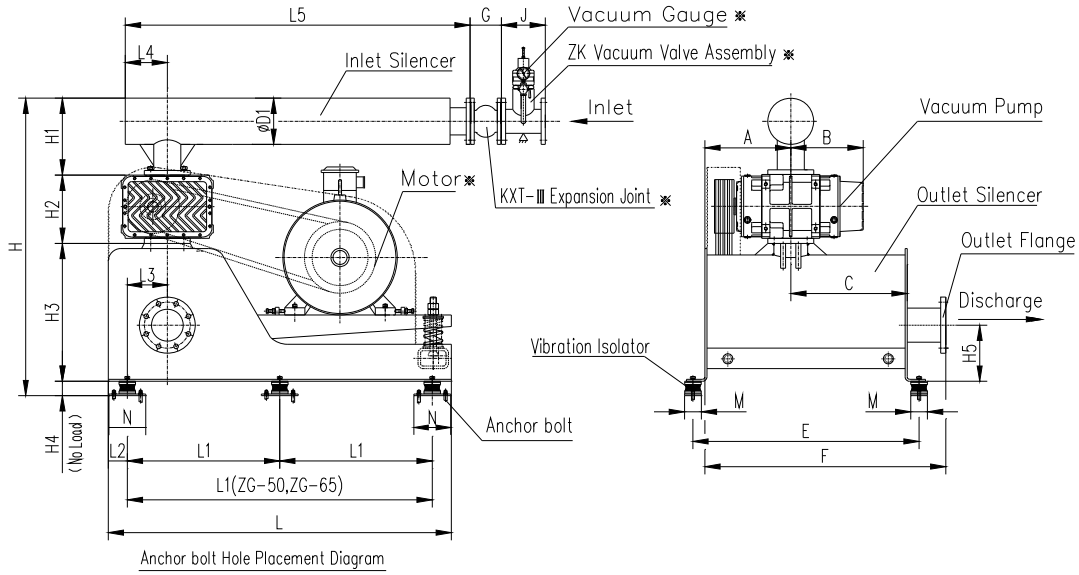
Note : customer provided support
Unit : inch

Model	A	A1	B	C	C1	E	F	G	J	K	L	L1	L2	L3	H
ZG-50			7.36	12.6	15.75	27.48	27.56	4.13	5.51	0.71					
ZG-65	11.81	13.35	8.84					4.53	5.91	0.71	39.37	33.46	2.95	3.54	38.54
ZG-80	12.13	13.98	9.72	16.06	20.08	31.89	32.20	5.13	7.09	0.71					
ZG-100	13.78	15.63	11.22	17.56	22.44	35.04	36.02	5.9	7.09	0.71	53.15	23.62	2.95	6.20	53.94
ZG-125	17.13	18.98	13.94		19.29	24.21	40.16	41.65	6.49	7.87	0.71				
ZG-150	19.88	21.73	16.93				42.91	44.09	7.08	8.66	0.71	64.57	28.35	3.94	8.46
ZG-200	24.41	26.18	21.18	28.94	33.86			7.48	9.84	0.90					
ZG-250	27.17	28.94	23.94	26.18	31.10	56.89	58.27	9.05	11.81	1.77	84.84	37.40	4.92	11.81	90.24

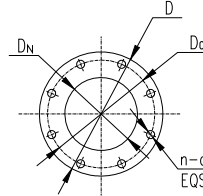
Model	H1	H2	H3	H4	H5	M	N	P	D1	Dn	D0	D	n	d	Weight (LBS)
ZG-50															403
ZG-65	13.35	6.81	16.18	2.20	7.01	2.6	5.71	4.13	12.54	02.44	04.75	06	4	0.75	425
										02.94	05.5	07			732
ZG-80	19.84	9.84	22.05	2.20	8.66	2.6	5.71	4.13	16.54	03.57	06	07.5	8	0.87	830
ZG-100										04.57	07.5	09			1520
ZG-125	24.69			2.20	11.42	2.6	5.71	4.13	21.26	05.66	08.5	010			1662
ZG-150	25.47	14.17	29.33	2.60		3.62	7.01	5.28		06.72	09.5	011			3580
ZG-200	30.08									08.72	011.75	013.5	12		3920
ZG-250	30.87	19.88	36.81	2.60	12.01	3.62	7.01	5.28	27.56	010.88	014.25	016			

Weight without Motor
* Optional Accessories

Outline and Installation Drawing for ZG Series Vacuum Pump Packages



Inlet and Outlet Flange Specification
ANSI 150lb



Note : Δ customer provided support
Unit : inch

Model	A	A1	B	C	C1	E	F	G	J	L	L1	L2	L3	L4	L5
ZG-50	11.81	13.35	7.36	12.6	15.75	27.48	27.56	4.13	5.51	39.37	33.46	2.95	3.54	4.13	27.56
ZG-65			8.84					4.53	5.91					4.53	31.50
ZG-80	12.13	13.98	9.72	16.06	20.08	31.89	32.20	5.13	7.09	53.15	23.62	2.95	6.20	5.91	39.37
ZG-100	13.78	15.63	11.22	17.56	22.44	35.04	36.02	5.9	7.09					6.10	51.18
ZG-125	17.13	18.98	13.94	19.29	24.21	40.16	41.65	6.49	7.87	64.57	28.35	3.94	8.46	7.09	59.06
ZG-150	19.88	21.73	16.93		42.91	44.09	7.08	8.66	7.09					66.93	
ZG-200	24.41	26.18	21.18	28.94	33.86	56.89	58.27	7.48	9.84	84.84	37.40	4.92	11.81	12.99	74.80
ZG-250	27.17	28.94	23.94	26.18	31.10			9.05	11.81					11.81	82.68

Model	H	H1	H2	H3	H4	H5	M	N	P	D1	Dn	D0	D	n	d	Weight (LBS)
ZG-50	35.83	10.63	6.81	16.18	2.20	7.01	2.6	5.71	4.13	5.51	Ø2.44	Ø4.75	Ø6	4	Ø0.75	403
ZG-65										6.50	Ø2.94	Ø5.5	Ø7			425
ZG-80	47.09	12.99	9.84	22.05	2.20	8.66	2.6	5.71	4.13	7.48	Ø3.57	Ø6	Ø7.5	8	Ø0.87	732
ZG-100										8.46	Ø4.57	Ø7.5	Ø9			830
ZG-125	61.46	15.75	14.17	29.33	2.20	11.42	2.6	5.71	4.13	10.31	Ø5.66	Ø8.5	Ø10	8	Ø0.87	1520
ZG-150	61.85				2.60					3.62	7.01	5.28	11.06			Ø6.72
ZG-200	77.01	17.72	19.88	36.81	2.60	12.01	3.62	7.01	5.28	12.60	Ø8.72	Ø11.75	Ø13.5	12	Ø0.87	3580
ZG-250	80.24	20.87		36.89						15.98	Ø10.88	Ø14.25	Ø16			3920

Weight without Motor
* Optional Accessories